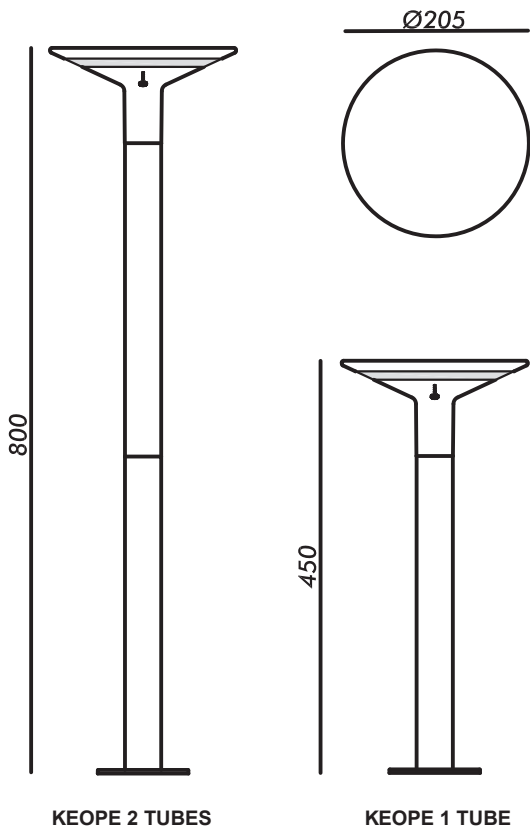




KEOPE GROUND



LED solar lamp
 Daylight sensor:
 - activate at < 50 lux
 - turn off at > 50 lux
 IP65

Materials:

- die-casting aluminium, extruded aluminium
 - thermosetting epoxy polyester powder coating
 - stainless steel screws
 - clear polycarbonate diffuser
- Salt spray corrosion test: 800h

Charging time: 10-12h

Working time: 23-25h

Power: 3W

Lithium Battery: 2*2200 mAh (replaceable)

Battery level indicator

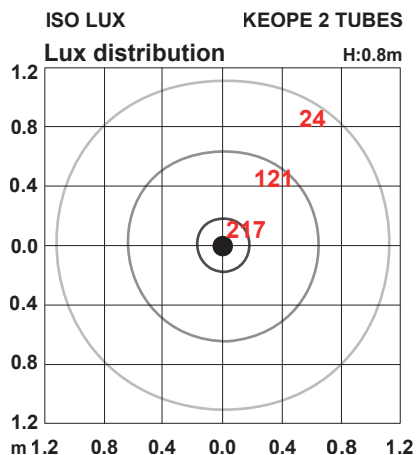
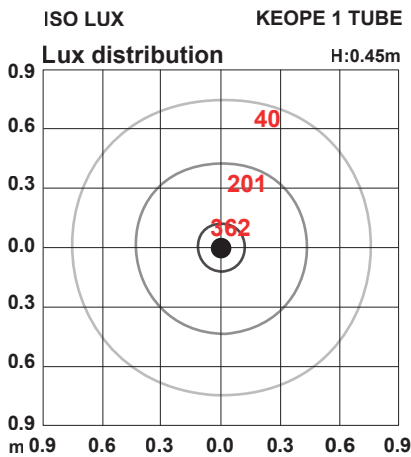
Solar panel:

- 3.5W monocrystalline
- tempered glass

LED: Lumileds 4014

Light colour temperature: 3000K

CRI>80



Inner box size: 39.5 x 25.5 x 16 cm

Master: 4 pieces

Master size: 52.5 x 41 x 33.5 cm

Net weight: 6.4 kg

Gross weight: 9 kg

